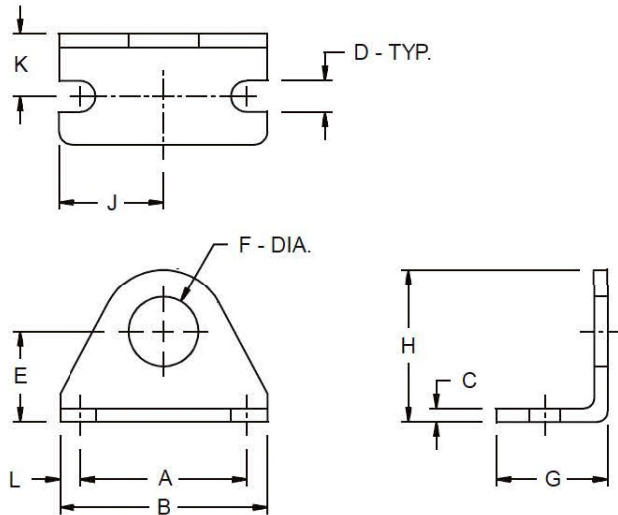


## Stainless Steel Series Foot Brackets



Bore	Foot Bkt. No.	Dimension										
		A	B	C	D	E	F	G	H	J	K	L
5/16" S.A.	M01SS	0.75	1.00	.06	.13	.43	.25	.37	.75	.50	.25	.12
5/16"	M01SD	0.75	1.00	.06	.13	.43	.37	.37	.75	.50	.25	.12
7/16" S.A.	M11SS	1.00	1.37	.07	.18	.56	.37	.62	.87	.68	.31	.18
7/16"	M11SD	1.00	1.37	.07	.18	.56	.43	.62	.93	.68	.31	.18
9/16"	M11SD	1.00	1.37	.07	.18	.56	.43	.62	.93	.68	.31	.18
3/4" S.A.	M21SS	1.25	1.62	.10	.18	.68	.50	.75	1.09	.81	.43	.18
3/4"	M21	1.50	1.87	.12	.28	.81	.62	1.00	1.37	.93	.56	.18
7/8"	M21	1.50	1.87	.12	.28	.81	.62	1.00	1.37	.93	.56	.18
1 1/16"	M21	1.50	1.87	.12	.28	.81	.62	1.00	1.37	.93	.56	.18
1 1/4"	M61S	1.87	2.50	.15	.28	1.00	.75	1.50	1.75	1.25	.75	.31
1 1/2"	M61S	1.87	2.50	.15	.28	1.00	.75	1.50	1.75	1.25	.75	.31
1 3/4"	M71S	2.25	3.00	.18	.34	1.25	1.03	1.50	2.12	1.50	.87	.37
2"	M81S	2.25	3.12	.25	.34	1.50	1.37	1.62	2.56	1.56	1.00	.43
3"	M101S	3.50	4.37	.25	.34	1.89	1.62	1.62	3.14	2.18	1.00	.43

Note: One mounting nut is provided with each foot bracket ordered.