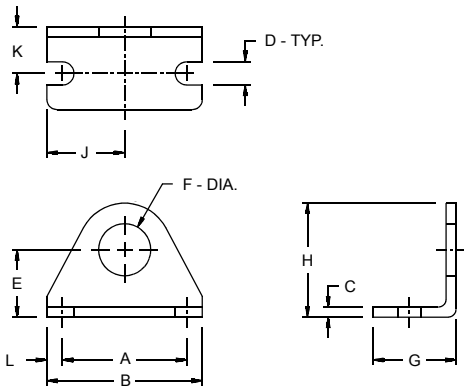


## MOUNTING ACCESSORIES: Dimensional Data

### Foot Bracket



#### Stainless Body Series

Bore	Foot Bkt. No.	Dimension										
		A	B	C	D	E	F	G	H	J	K	L
9/16"	M11SD	1.00	1.37	.07	.18	.56	.43	.62	.93	.68	.31	.18
3/4" S.A.	M21SS	1.25	1.62	.10	.18	.68	.50	.75	1.09	.81	.43	.18
3/4"	M21	1.50	1.87	.12	.28	.81	.62	1.00	1.37	.93	.56	.18
1 1/16"	M21	1.50	1.87	.12	.28	.81	.62	1.00	1.37	.93	.56	.18
1 1/4"	M61S	1.87	2.50	.15	.28	1.00	.75	1.50	1.75	1.25	.75	.31
1 1/2"	M61S	1.87	2.50	.15	.28	1.00	.75	1.50	1.75	1.25	.75	.31
1 3/4"	M71S	2.25	3.00	.18	.34	1.25	1.03	1.50	2.12	1.50	.87	.37
2"	M81S	2.25	3.12	.25	.34	1.50	1.37	1.62	2.56	1.56	1.00	.43

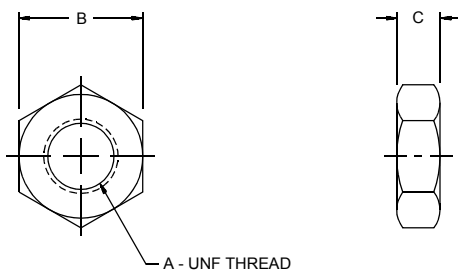
Note: One mounting nut is provided with each foot bracket ordered.

#### Aluminum Body Series

Bore	Foot Bkt. No.	Dimension										
		A	B	C	D	E	F	G	H	J	K	L
1 1/8"	M41	1.50	1.87	.12	.28	.87	.75	1.06	1.50	.93	.59	.18
1 1/2"	M61	1.87	2.37	.21	.28	1.18	1.00	1.37	2.06	1.18	.78	.25
2"	M81	2.37	3.00	.25	.34	1.50	1.25	1.68	2.56	1.50	.96	.31
2 1/2"	M91	2.87	3.75	.25	.34	1.75	1.50	1.62	3.06	1.87	1.00	.43

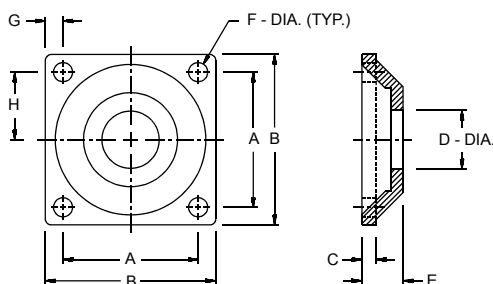
Note: One mounting nut is provided with each foot bracket ordered.

### Mounting Nut



Bore	Mtg. Nut No.		Dimension		
	SS Body	AL Body	A	B	C
9/16"	M15SD	--	7/16-20	.68	.25
3/4" S.A.	M25SS	--	1/2-20	.75	.31
3/4"	M25	--	5/8-18	.93	.37
1 1/16"	M25	--	5/8-18	.93	.37
1 1/8"	--	M45	3/4-16	1.12	.42
1 1/4"	M45	--	3/4-16	1.12	.42
1 1/2"	M45	--	3/4-16	1.12	.42
1 1/2"	--	M65	1-14	1.50	.54
1 3/4"	M65	--	1-14	1.50	.54
2"	M85	--	1 1/4-12	1.87	.54
2"	--	M85	1 1/4-12	1.87	.54
2 1/2"	--	M95	1 3/8-12	1.87	.50

### Flange Mount



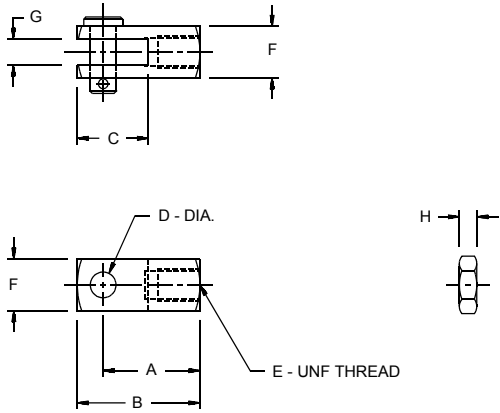
#### Aluminum Body Series

Bore	Flange No.	Dimension							
		A	B	C	D	E	F	G	H
1 1/8"	M42	2.00	2.50	.25	.75	.62	.28	.25	1.00
1 1/2"	M62	2.50	3.25	.31	1.00	.75	.28	.37	1.25
2"	M82	2.87	3.62	.31	1.25	.87	.28	.37	1.43

Note: One mounting nut is provided with each flange ordered.

## MOUNTING ACCESSORIES: Dimensional Data (Continued)

### Rod Clevis

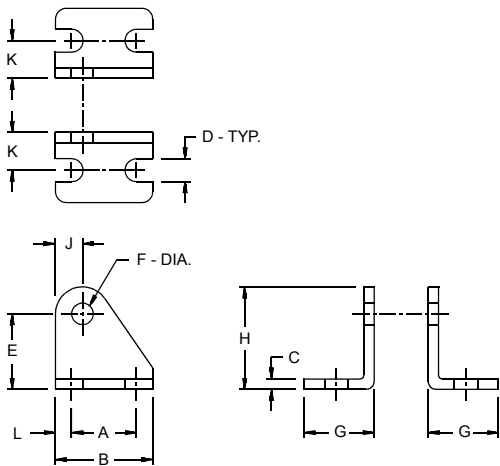


Bore	Rod Clevis No.		Dimension								
	SS Body	AL Body	A	B	C	D	E	F	G	H	
9/16"	M14S	--	.75	.93	.56	.18	10-32	.37	.18	.12	
3/4"	M24S	--	.93	1.18	.68	.25	1/4-28	.50	.25	.15	
1 1/16"	M24	--	.93	1.18	.68	.25	5/16-24	.50	.25	.18	
1 1/8"	--	M44	1.12	1.37	.68	.25	3/8-24	.56	.25	.21	
1 1/4"	M64S	--	1.31	1.68	.93	.37	7/16-20	.75	.37	.25	
1 1/2"	M64S	--	1.31	1.68	.93	.37	7/16-20	.75	.37	.25	
1 1/2"	--	M64	1.43	1.81	.93	.37	1/2-20	.75	.37	.31	
1 3/4"	M94	--	1.31	1.68	.93	.37	1/2-20	.75	.37	.37	
2"	M94	--	1.31	1.68	.93	.37	1/2-20	.75	.37	.37	
2"	--	M84	1.87	2.31	1.31	.43	5/8-18	.87	.43	.37	
2 1/2"	--	M94	1.31	1.68	.93	.37	1/2-20	.75	.37	.37	

Note: Rod nut and pin provided with each rod clevis ordered.

### Pivot/Trunnion Bracket

#### Stainless Body Series



#### Pivot Bracket

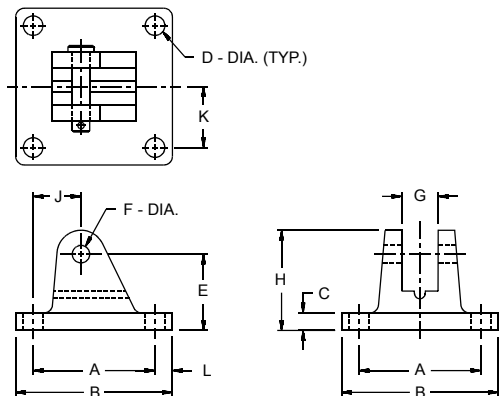
Bore	Pivot Bkt. No.	Dimension										
		A	B	C	D	E	F	G	H	J	K	L
9/16"	M13S	.50	.75	.06	.18	.56	.15	.50	.77	.20	.28	.12
3/4"	M23S	.75	1.12	.12	.26	.87	.25	.81	1.18	.31	.43	.18
1 1/16"	M23S	.75	1.12	.12	.26	.87	.25	.81	1.18	.31	.43	.18
1 1/4"	M23S	.75	1.12	.12	.26	.87	.25	.81	1.18	.31	.43	.18
1 1/2"	M63S	1.00	1.50	.12	.26	1.37	.37	1.00	1.75	.37	.62	.25
1 3/4"	M73SP	1.00	1.50	.25	.34	1.37	.37	1.12	1.75	.37	.68	.25
2"	M93	1.00	1.50	.25	.34	1.37	.37	1.12	1.75	.37	.68	.25
2 1/2"	M93	1.00	1.50	.25	.34	1.37	.37	1.12	1.75	.37	.68	.25

Notes: • Add the letter "P" to Bracket No. to include Pivot Pin for use with cylinders having (-2) Pivot Bushing Option (ex. M23SP).  
• Pivot Pin always included with M73SP and M93 Pivot Bracket.

#### Trunnion Bracket

Bore	Trunnion Bkt. No.	Dimension										
		A	B	C	D	E	F	G	H	J	K	L
3/4"	M37S	1.00	1.50	.25	.34	1.37	.50	1.12	1.75	.37	.68	.25
1 1/16"	M37S	1.00	1.50	.25	.34	1.37	.50	1.12	1.75	.37	.68	.25
1 1/2"	M37S	1.00	1.50	.25	.34	1.37	.50	1.12	1.75	.37	.68	.25

#### Aluminum Body Series



#### Pivot Bracket

Bore	Pivot Bkt. No.	Dimension										
		A	B	C	D	E	F	G	H	J	K	L
1 1/8"	M43	1.75	2.25	.25	.28	1.09	.25	.50	1.43	.68	.87	.25
1 1/2"	M63	2.25	3.00	.31	.28	1.62	.31	.75	2.12	.87	1.12	.37
2"	M83	2.25	3.00	.31	.28	1.62	.31	.75	2.12	.87	1.12	.37
2 1/2"	M93	Listed in Stainless Body Series above.										

Note: Pivot pin included with each Aluminum Body Series pivot bracket ordered.