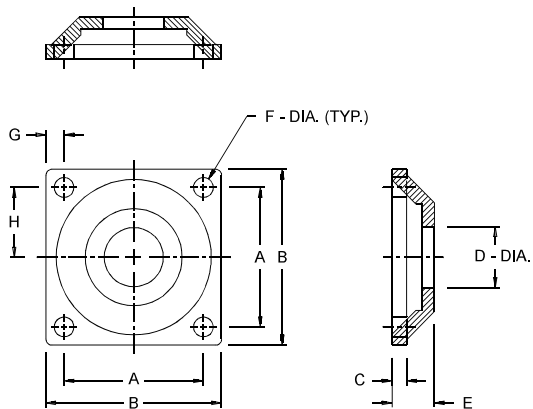


Aluminum 76-Series Flange Bracket



Bore	Pivot Bkt. No.	Dimension							
		A	B	C	D	E	F	G	H
3/4"	M22	1.62	2.12	.21	0.62	.50	.28	.25	0.81
1 1/8"	M42	2.00	2.50	.25	0.75	.62	.28	.25	1.00
1 1/2"	M62	2.50	3.25	.31	1.00	.75	.28	.37	1.25
2"	M82	2.87	3.62	.31	1.25	.87	.28	.37	1.43

Note: One mounting nut is provided with each Flange ordered.

