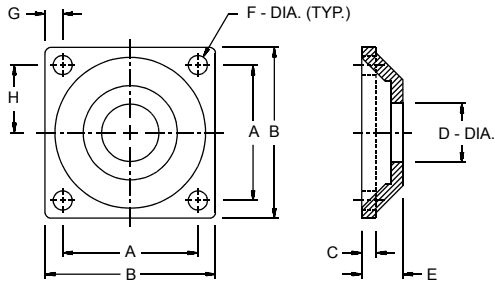


Magnetic Field MFC Aluminum 76-Series Flange Bracket

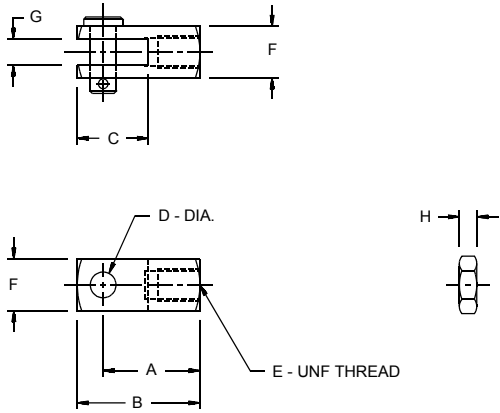


Bore	Flange No.	Dimension							
		A	B	C	D	E	F	G	H
1 1/8"	M42	2.00	2.50	.25	.75	.62	.28	.25	1.00
1 1/2"	M62	2.50	3.25	.31	1.00	.75	.28	.37	1.25
2"	M82	2.87	3.62	.31	1.25	.87	.28	.37	1.43

Note: One mounting nut is provided with each flange ordered.

MOUNTING ACCESSORIES: Dimensional Data (Continued)

Rod Clevis

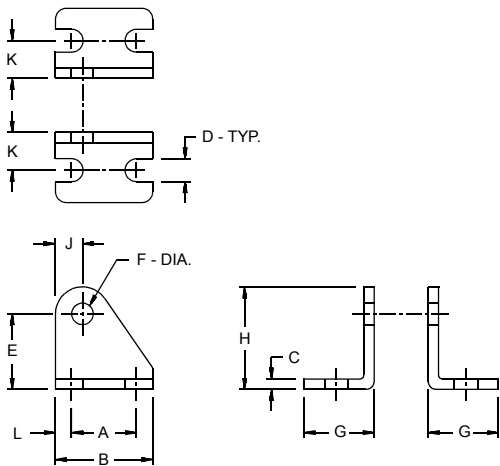


Bore	Rod Clevis No.		Dimension								
	SS Body	AL Body	A	B	C	D	E	F	G	H	
9/16"	M14S	--	.75	.93	.56	.18	10-32	.37	.18	.12	
3/4"	M24S	--	.93	1.18	.68	.25	1/4-28	.50	.25	.15	
1 1/16"	M24	--	.93	1.18	.68	.25	5/16-24	.50	.25	.18	
1 1/8"	--	M44	1.12	1.37	.68	.25	3/8-24	.56	.25	.21	
1 1/4"	M64S	--	1.31	1.68	.93	.37	7/16-20	.75	.37	.25	
1 1/2"	M64S	--	1.31	1.68	.93	.37	7/16-20	.75	.37	.25	
1 1/2"	--	M64	1.43	1.81	.93	.37	1/2-20	.75	.37	.31	
1 3/4"	M94	--	1.31	1.68	.93	.37	1/2-20	.75	.37	.37	
2"	M94	--	1.31	1.68	.93	.37	1/2-20	.75	.37	.37	
2"	--	M84	1.87	2.31	1.31	.43	5/8-18	.87	.43	.37	
2 1/2"	--	M94	1.31	1.68	.93	.37	1/2-20	.75	.37	.37	

Note: Rod nut and pin provided with each rod clevis ordered.

Pivot/Trunnion Bracket

Stainless Body Series



Pivot Bracket

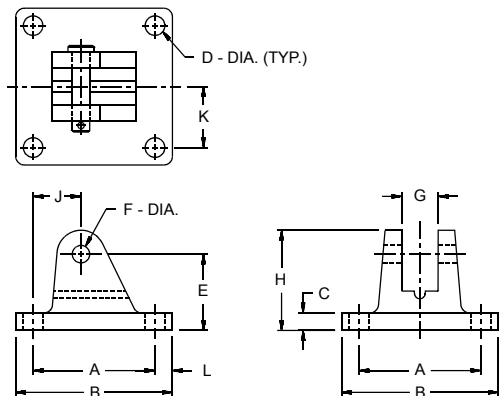
Bore	Pivot Bkt. No.	Dimension										
		A	B	C	D	E	F	G	H	J	K	L
9/16"	M13S	.50	.75	.06	.18	.56	.15	.50	.77	.20	.28	.12
3/4"	M23S	.75	1.12	.12	.26	.87	.25	.81	1.18	.31	.43	.18
1 1/16"	M23S	.75	1.12	.12	.26	.87	.25	.81	1.18	.31	.43	.18
1 1/4"	M23S	.75	1.12	.12	.26	.87	.25	.81	1.18	.31	.43	.18
1 1/2"	M63S	1.00	1.50	.12	.26	1.37	.37	1.00	1.75	.37	.62	.25
1 3/4"	M73SP	1.00	1.50	.25	.34	1.37	.37	1.12	1.75	.37	.68	.25
2"	M93	1.00	1.50	.25	.34	1.37	.37	1.12	1.75	.37	.68	.25
2 1/2"	M93	1.00	1.50	.25	.34	1.37	.37	1.12	1.75	.37	.68	.25

Notes: • Add the letter "P" to Bracket No. to include Pivot Pin for use with cylinders having (-2) Pivot Bushing Option (ex. M23SP).
• Pivot Pin always included with M73SP and M93 Pivot Bracket.

Trunnion Bracket

Bore	Trunnion Bkt. No.	Dimension										
		A	B	C	D	E	F	G	H	J	K	L
3/4"	M37S	1.00	1.50	.25	.34	1.37	.50	1.12	1.75	.37	.68	.25
1 1/16"	M37S	1.00	1.50	.25	.34	1.37	.50	1.12	1.75	.37	.68	.25
1 1/2"	M37S	1.00	1.50	.25	.34	1.37	.50	1.12	1.75	.37	.68	.25

Aluminum Body Series



Pivot Bracket

Bore	Pivot Bkt. No.	Dimension										
		A	B	C	D	E	F	G	H	J	K	L
1 1/8"	M43	1.75	2.25	.25	.28	1.09	.25	.50	1.43	.68	.87	.25
1 1/2"	M63	2.25	3.00	.31	.28	1.62	.31	.75	2.12	.87	1.12	.37
2"	M83	2.25	3.00	.31	.28	1.62	.31	.75	2.12	.87	1.12	.37
2 1/2"	M93	Listed in Stainless Body Series above.										

Note: Pivot pin included with each Aluminum Body Series pivot bracket ordered.