

OPTIONAL SENSING SWITCHES (Continued)

Solid State Switches (DC only)

American's Solid State Switches are designed for DC applications only. With no mechanical parts to wear out or arc, the solid state circuitry provides a compact, reliable positioning switch for extended service life when used within the specified parameters.

SPECIFICATIONS

Solid State Switch

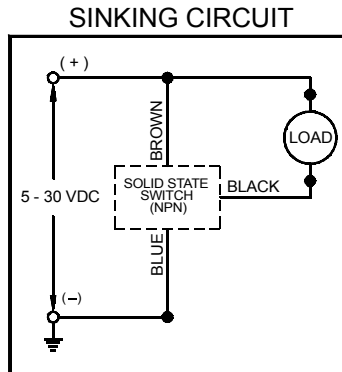
Sinking (NPN)

Switching Logic Normally Open
 Switching Voltage 5 VDC to 30 VDC
 Switching Current..... 100mA Max. @ 5 VDC
 200mA Max. @ 12 VDC
 200mA Max. @ 24 VDC
 Current Consumption..... 10mA Max. @ 12 VDC
 20mA Max. @ 24 VDC
 Ambient Temperature 14°F to 140°F
 Indicator Red LED
 Plain End Lead Wire 39 in.
 M8 Pigtail Connector..... 6 in.
 Enclosure Rating..... IEC Standard IP66

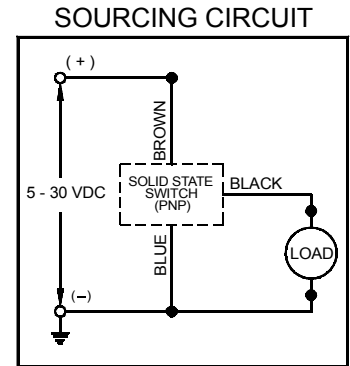
Sourcing (PNP)

Switching Logic Normally Open
 Switching Voltage..... 5 VDC to 30 VDC
 Switching Current..... 100mA Max. @ 12 VDC
 200mA Max. @ 24 VDC
 Current Consumption 7mA Max. @ 12 VDC
 14mA Max. @ 24 VDC
 Ambient Temperature..... 14°F to 140°F
 Indicator..... Green LED
 Plain End Lead Wire..... 39 in.
 M8 Pigtail Connector..... 6 in.
 Enclosure Rating..... IEC Standard IP66

Wiring Diagram:

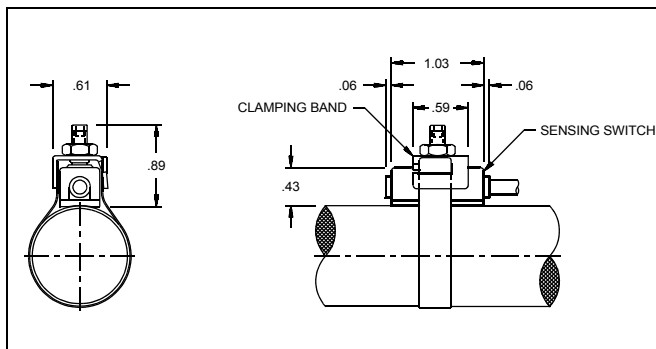


Wiring Diagram:

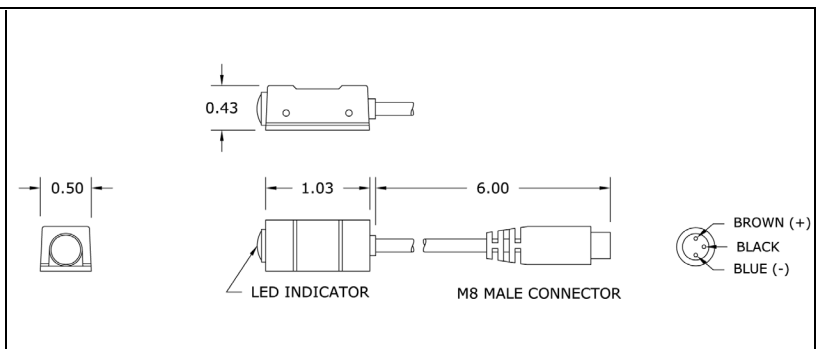


SWITCH DIMENSIONAL DATA

Std. Lead Wires w/Bands



Pigtail Connection Type w/Bands





Solid State Switches

Complete with band.

Bore		Std. Lead Wires w/ Bands		Pigtail Connection Type w/Bands						
Stainless Steel Body	Aluminum Body	Sinking (NPN)	Sourcing (PNP)	Switches w/6" Pigtail		Pigtail Switch w/2M (78") Cable		Pigtail Switch w/5M (196") Cable		Band Only
				Sinking (NPN)	Sourcing (PNP)	Sinking (NPN)	Sourcing (PNP)	Sinking (NPN)	Sourcing (PNP)	
9/16"	----	M16SH	M16SHP	M16SH-PT	M16SHP-PT	M16SH-PT-78	M16SHP-PT-78	M16SH-PT-196	M16SHP-PT-196	590-003-0
3/4"	----	M26SH	M26SHP	M26SH-PT	M26SHP-PT	M26SH-PT-78	M26SHP-PT-78	M26SH-PT-196	M26SHP-PT-196	290-008-0
1 1/16"	----	M36SH	M36SHP	M36SH-PT	M36SHP-PT	M36SH-PT-78	M36SHP-PT-78	M36SH-PT-196	M36SHP-PT-196	390-008-0
----	1 1/8"	M46H	M46HP	M46H-PT	M46HP-PT	M46H-PT-78	M46HP-PT-78	M46H-PT-196	M46HP-PT-196	490-008-0
1 1/4"	----	M56SH	M56SHP	M56SH-PT	M56SHP-PT	M56SH-PT-78	M56SHP-PT-78	M56SH-PT-196	M56SHP-PT-196	090-002-0
1 1/2"	----	M66SH	M66SHP	M66SH-PT	M66SHP-PT	M66SH-PT-78	M66SHP-PT-78	M66SH-PT-196	M66SHP-PT-196	690-015-0
----	1 1/2"	M66H	M66HP	M66H-PT	M66HP-PT	M66H-PT-78	M66HP-PT-78	M66H-PT-196	M66HP-PT-196	690-014-0
1 3/4"	----	M76SH	M76SHP	M76SH-PT	M76SHP-PT	M76SH-PT-78	M76SHP-PT-78	M76SH-PT-196	M76SHP-PT-196	190-006-0
2"	----	M86SH	M86SHP	M86SH-PT	M86SHP-PT	M86SH-PT-78	M86SHP-PT-78	M86SH-PT-196	M86SHP-PT-196	890-023-0
----	2"	M86H	M86HP	M86H-PT	M86HP-PT	M86H-PT-78	M86HP-PT-78	M86H-PT-196	M86HP-PT-196	890-011-0
----	2 1/2"	M96H	M96HP	M96H-PT	M96HP-PT	M96H-PT-78	M96HP-PT-78	M96H-PT-196	M96HP-PT-196	990-004-0
Switch & Cable (no band)		MSHL-6	MSHP-6	MSH6-PT	MSHP6-PT	MSH6-PT-78	MSHP6-PT-78	MSH6-PT-196	MSHP6-PT-196	
Cables Only for Pigtail Switches										
						2M (78")		PT-78		
						5M (196")		PT-196		